

## Installation manual Operating instructions

## Solar combi tank with DHW heat exchanger

### WIKOSOL 1005



**Installation and commissioning must be undertaken by a specialist.**

General terms and conditions of warranty state that all installations must be carried out by a suitably trained and qualified plumber who observes the local norms and regulations.

**The installation and maintenance record must be entirely completed and the user has to be instructed accordingly.**

Efficient operation can only be guaranteed if the instructions of this manual are followed.

Warranty does not cover any damage caused due to non-observance of this manual and the technical rules in force.

The system is to be checked annually by a specialized company. In addition, occurring defects must be repaired immediately.

**This document should be handed over to the client on completion of the installation.**

### Index

1	General .....	2
2	Transport and installation .....	2
3	Dimensions and connections .....	3
4	Technical data .....	4
5	Installation .....	5
6	Commissioning .....	6
7	Maintenance and wear parts .....	6
8	Recycling and disposal .....	6
9	Warranties and guarantee .....	7
10	Installation record .....	8

## 1 General

Depending on the type and design, WIKORA tanks are suitable for heating and / or storing DHW and / or heating water. The heating is achieved indirectly via heat generators, if applicable, from different heat sources. The maximum working pressure and working temperature can be found in the technical data.

Set-up, installation and commissioning must be undertaken by a qualified specialist, who must observe these instructions.

**The site of installation must be frost-protected according to DIN 4753 and should be in direct proximity to the heat generator.**

When setting-up and installing the tank, the following regulations should be considered:

In addition to the technical rules in force DIN 1988, DIN 18160, DIN 4753, DIN 4109, DIN 4708, DIN 4751 section 2-4 energy conservation law and VDE regulations are to be observed. Moreover, the relevant regulations of the suppliers as well as legal building regulations are to be considered.

**Important:** The exhaust pipe must be at least as big as the safety valve outlet in width. It may not have more than 2 bends and should not be longer than 2 m. If for any compelling reasons 3 bends or a length up to 4 m are required, then the entire exhaust line must be designed one nominal size larger. More than 3 bends, or a length exceeding 4 m is prohibited. The exhaust pipe must be installed with downward gradient. The drain line behind the funnel must feature at least the double width of the valve entrance. A sign is to be attached close to the exhaust pipe of the safety valve or on the safety valve itself. „For safety reasons water may leak from the exhaust pipe during the heating process! Do not lock! "The operability of the safety valve is to be checked at regular intervals by means of de-ventilation.

## 2 Transport and installation

In order to prevent damage during transport, the packaging should only be removed at the site of installation. During shipment, it should be ensured that the tank does not come in contact with any spiky or sharp items, nor is damaged through dropping or knocks.

During installation, the tank must be disconnected from any humidity carrying components. Moreover, sufficient space for maintenance and cleaning purposes should be kept free in front of, beside, above and behind the tank.

### 3 Dimensions and connections

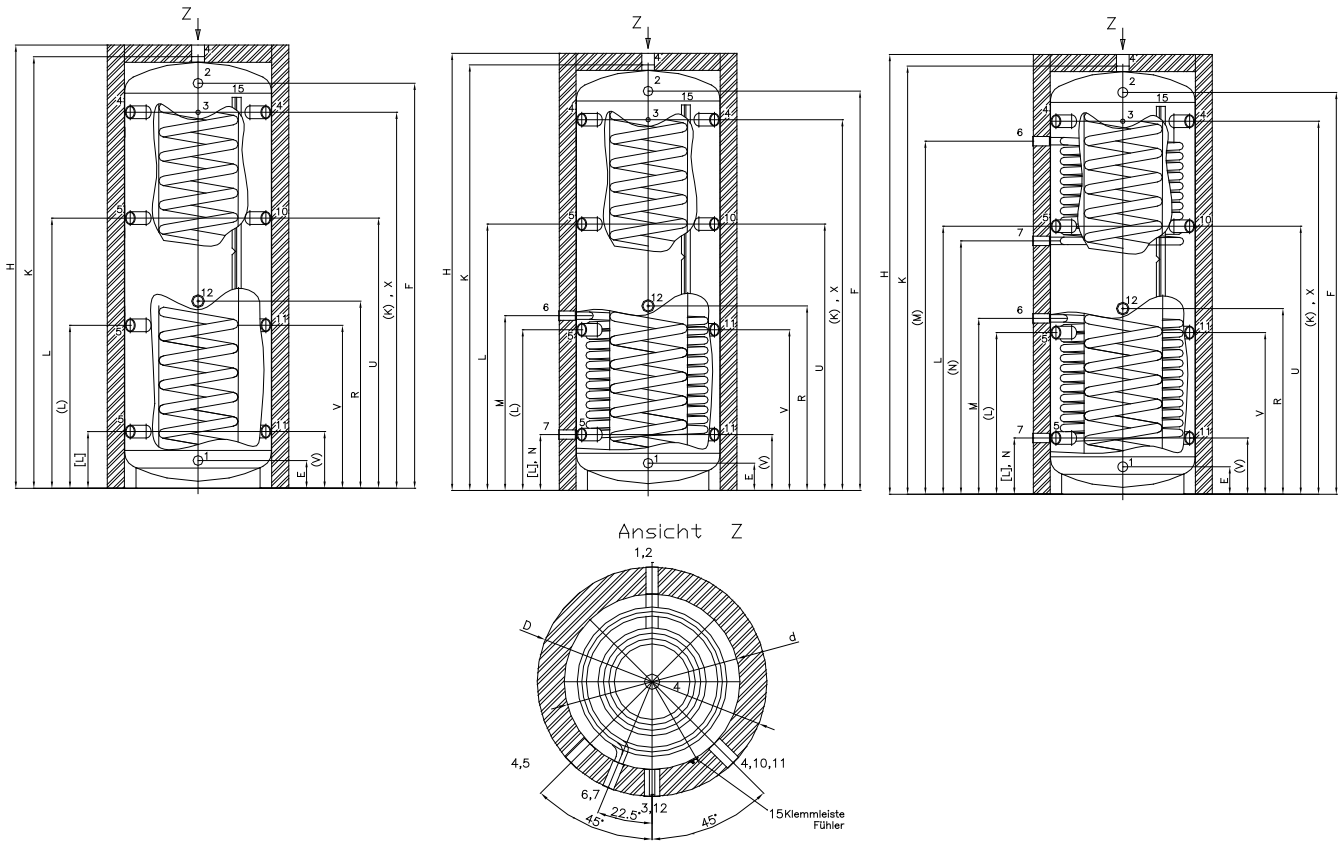


Illustration 1

#### Dimensions:

Type	∅ d	∅ D	E	F	H	K (K)	L (L) [L]	M (M)	N (N)	R	U	V (V)	W	X
	[mm]	[mm]	[mm]	[mm]	[mm]	[mm]	[mm]	[mm]	[mm]	[mm]	[mm]	[mm]	[mm]	[mm]
<b>Wikosol 1005-0</b>	790	990	160	1965	2195	2117 (1835)	1340 (740) [290]	-	-	980	1340	740 (290)	2150	1835
<b>Wikosol 1005-1</b>	790	990	160	1965	2195	2117 (1835)	1340 (740) [290]	875	290	980	1340	740 (290)	2150	1835
<b>Wikosol 1005-2</b>	790	990	160	1965	2195	2117 (1835)	1340 (740) [290]	875 (1780)	290 (1375)	980	1340	740 (290)	2150	1835

Chart 1

W = Tilting dimension

#### Connections:

Typ	Wikosol 1005-0	Wikosol 1005-1	Wikosol 1005-2		
Cold water / hot water	1/2	Gi	5/4	5/4	5/4
Thermometer	3		x	x	x
Aux boiler flow / return	4/5	Gi	6/4	6/4	6/4
Solar flow / return	6 / 7	Gi	-	1	1
Heating flow / return	10 / 11	Gi	6/4	6/4	6/4
Plug for electric heater	12	Gi	6/4	6/4	6/4
Sensor clamp	15		x	x	x

Chart 2

Gi = female thread

## 4 Technical data

Typenbezeichnung		Wikosol 1005-0	Wikosol 1005-1	Wikosol 1005-2
Storage volume (real) acc. to DIN EN 12897	[litre]	983	978	975
Max. working temperature tank	[°C]	95	95	95
Max. working temperature tank DHW / solar heat exchanger	[°C]	95 / 130	95 / 130	95 / 130
Max. working pressure DHW / solar heat exchanger	[bar]	10 / 10	10 / 10	10 / 10
Max. working pressure tank	[bar]	3	3	3
Capacity of DHW heat exchanger	[litre]	ca. 32	ca. 32	ca. 32
Surface of DHW heat exchanger	[m <sup>2</sup> ]	5,5	5,5	5,5
Surface of solar heat exchanger upper / lower	[m <sup>2</sup> ]	-	3,0	3,0 / 2,0
Capacity of solar heat exchanger upper / lower	[litre]	-	20,0	20,0/ 13,5
Insulation		100 mm Neopor/fleece		
Material DHW heat exchanger		W.-St. 1.4404		
Material tank		S235JR		
Corrosion protection buffer		Internal bare, external coated with corrosion proof lacquer		
<b>Performance (tank fully loaded 65 °C / HV 70 °C / HW 45 °C / CW 10 °C)</b>				
Buffer loaded, flow rate 10 l/min	[litre]	595	595	595
Buffer loaded, flow rate 20 l/min	[litre]	535	535	535
Buffer partially loaded, flow rate 10 l/min	[litre]	375	375	375
Buffer partially loaded, flow rate 20 l/min	[litre]	285	285	285
<b>Max. domestic throughput buffer loaded</b>	[l/h]	1950	1950	1950
Aux boiler output	[kW]	80	80	80
Flow rate	[m <sup>3</sup> /h]	3,8	3,8	3,8
<b>Max. domestic throughput buffer partially loaded</b>	[l/h]	1200	1200	1200
Aux boiler output	[kW]	50	50	50
Flow rate	[m <sup>3</sup> /h]	1,9	1,9	1,9
Nominal Load N <sub>L</sub> (according to DIN 4708)		4,0	4,0	4,0
Standing loss	[Watt]	140	141	143
Energyefficiency class		-	-	-
Weight (empty)	[kg]	ca. 160	ca. 194	ca. 221
Recommended min. gross collector surface*	[m <sup>2</sup> ]	-	12,0	12,0

\* for flat plate collectors

Chart 3

## 5 Installation

All pipes connecting to the tank should have removable connections (fitting/flange). Pipe thread seals with teflon are to be avoided.

All tank connecting pipes are to be planned, constructed and tested according to the technical rules in force, as well as to the corresponding norms and regulations in accordance with their application and supply medium.

It is recommended to foresee a decalcification possibility through stop valves with drain possibility or t-piece with cold water inlet and hot water outlet of the DHW heat exchanger or a water softening device in highly calcareous water areas.

Appropriate filters should be used to prevent dirt or particles from entering the tanks. Moreover, the tank should be ensured against pressure fluctuations and excess pressure through the installation of tested pressure reducing valves and safety valves.

Sensors and thermostats necessary for temperature control must be securely and permanently positioned on the tank (immersion sleeve and sensor rail).

The tank's venting and draining facilities must have the appropriate dimensions and be correctly installed.

The installation company is responsible for the correct execution of work and for the safe and careful insulation of the pipes.

- When connecting to a solar plant, a temperature limiter is required and must be installed on site at the hot water outlet in order to prevent scalding.

### Connection scheme (according to DIN 1988)

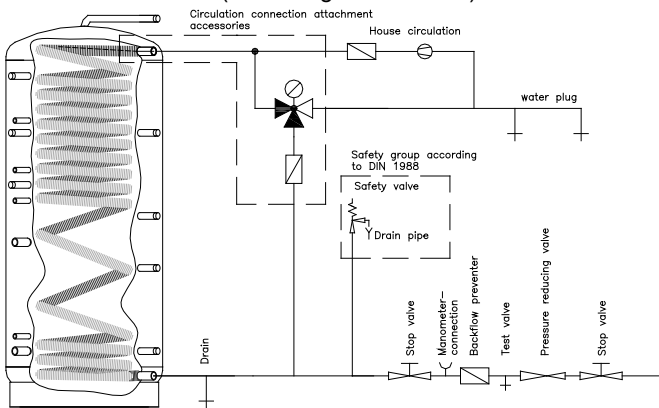


Illustration 2 (Schematic diagram)

The size of the DHW safety valve is shown below:

Content of DHW space	Min. valve size	Max. heating performance
up to 200 l	NW 15 (1/2")	75 kW
above 200 to 1000 l	NW 20 (3/4")	150 kW

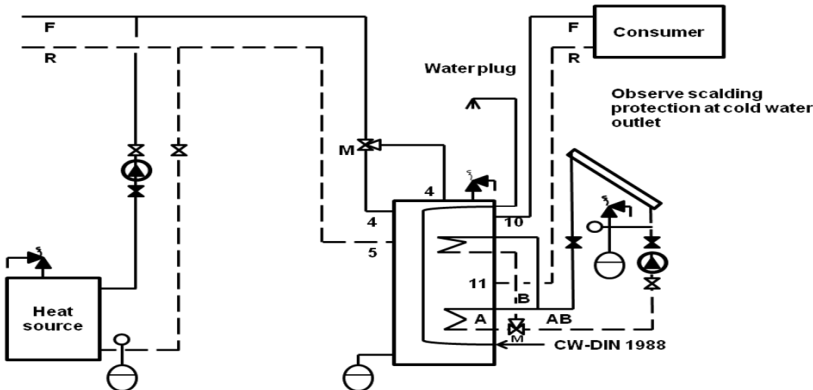


Illustration 3 (Schematic drawing– example hydraulic system heating)

The thread diameter of the heating safety valve depends on the nominal capacity of the water space and the maximum heating capacity of the heat generator. It can be determined as follows:

Reaction pressure	Max. heating capacity of the heat generator					
1,5 bar	36 kW	72 kW	144 kW	252 kW	433 kW	650 kW
2,0 bar	43 kW	86 kW	172 kW	302 kW	518 kW	778 kW
2,5 bar	50 kW	100 kW	200 kW	350 kW	600 kW	900 kW
3,0 bar	56 kW	112 kW	224 kW	395 kW	678 kW	1017 kW
Thread diameter (inch)	1/2	3/4	1	5/4	6/4	2

## Circulation connection

In order to operate the combi tank with a hot water circulation, a **circulation connection attachment** from Wikora is to be installed between the tank and the circulation pipe. The circulation connection attachment is supplied as a pre-assembled unit, and consists of one T-piece with integrated circulation dip lance made of stainless steel and a DHW mixing valve to prevent scalding. The attachment is to be installed according to the preceding connection scheme. Any other connection method is not acceptable and compromises the function of the combi tank. It is recommended to set the DHW mixing valve at 45-55°C.

In general, a circulation pipe involves high stand-by losses. For this reason, we recommend:

- The use of a circulation pump which is dependent on time and temperature
- The adequate insulation of the pipes
- Equipping the circulation pipe with a check valve

## 6 Commissioning

- Before putting into operation, the entire system should be flushed through. Particles in the system compromise the operating reliability.
- Fill the heating system slowly with water and vent all the air.
- Open the **cold water stop valve** and all hot water nozzles. The hot water heat exchanger is full when water leaks out of all hot water nozzles. Then close all nozzles again.
- Start-up the heating system.
- While the System is heating up, water will leak out of the safety valve.
- **Before the handover of the system to the end user/owner, the plumbing contractor should ensure that the system is tested to full load, controls are set and that pipe work and connections are without leaks.** Afterwards, the end user has to be instructed in the operation and handling of the tank, as well as the system. The instruction must be documented in the installation and maintenance record.,
- Please note that the operation and lifetime of the system depend decisively on a regular maintenance.

## 7 Maintenance and wear parts

Regular maintenance increases the lifetime and operation reliability of the system. Decalcification at regular intervals may be necessary in highly calcareous water areas. **Attention – only valid for heating tanks with hot water supply.**

A chemical decalcification can be carried out by a specialist using an approved decalcifier and taking the appropriate precautions.

1. The safety valve protects the tank against excess pressure. The functional capacity must be checked at regular intervals by venting. If an expansion vessel is used, the safety valve is not, or only rarely, required. Over a longer period of time therefore, it can become blocked and not function when needed.
2. If there is a danger of freezing, the DHW tank should be permanently heated or completely emptied.
3. A damp cloth is sufficient to clean the outer parts. Please avoid using any abrasive or solvent cleaning.

## 8 Recycling and disposal

The products are specified and manufactured according to VDI 2243. The products are mechanically separable and 100% recyclable. Make sure that the components are disposed according to the relevant regulations.

## 9 Warranties and guarantee

The warranty for our products is based on the legal provisions of the general Civil Code and the Consumer Protection Act.

In addition, defective appliances are replaced within the framework of our full warranty within 1 year, as of the date of the invoice, including the replacement, procurement and incidental costs. As far as our hot-water heaters and pressurized boilers are concerned, the warranty amounts for 6 months, as of the date of the invoice.

Subsequent to the full warranty, defective tanks are replaced within the framework of our guarantee. The guarantee of the different products and the conditions are shown in the table below.

All other claims are excluded. Repairs and costs which occur due to damage, inappropriate installation, chemical, electrochemical or electrical influences, incorrect operation or improper manipulation, are excluded. Furthermore, the warranty becomes invalid if the appliance has been modified through the installation of externally supplied parts or through irregular professional maintenance.

Subject to our general terms and conditions.

Products	Legal warranty 2 years	Guarantee years*	Conditions
<b>DHW storage tanks</b>			
WBO T/ToF	•	5	20 / 27
WBL	•	5	20 / 27
WBO Uno	•	5	20 / 27
WBO Duo	•	5	20 / 27
WP/Sol	•	5	20 / 27
WBO H	•	5	20 / 27
GS	•	5	20 / 27
<b>Combi buffer tanks</b>			
Wikosol Twin	•	10	27
Wikosol	•	10	27
WPKR H Twin	•	5	20 / 27
WPKR Twin	•	5	20 / 27
WPKR	•	5	20 / 27
WPK	•	5	20 / 27
WPH-FW (tank)	•	5	27
WPR-FW (tank)	•	5	27
<b>Buffer tanks</b>			
WPS	•	5	20 / 27
WPH	•	5	-
WPR	•	5	-
WPRR	•	5	-
WKS	•	5	-
<b>Tank accessories</b>			
Cu-finned tube heat exchanger	•	-	27
Electric heating element	•	-	-

### Conditions:

- |    |  |
|----|--|
| 20 | Under condition that the limits of the valid DHW regulations have been respected, the anode has been examined for the first time after 2 years and afterwards annually and that the anode has been replaced by an original Wikora anode (individual receipts needed) by a specialized company. |
| 27 | Coverage Germany:<br>Compliance with the limits of the valid DHW regulations (TrinkwV 2001), especially the limits in accordance with Appendix 2, Part 1-2 and Appendix 3<br>Coverage EU :<br>Compliance with the limits of the EG-Regulations 83/98   |

\* Start of guarantee at date of invoice

## 10 Installation record

The installation has been completed according to DIN and the technical rules in force. In addition, the customer has received instruction concerning the operation and maintenance.

Place.....	Date.....
Customer	Installer
..... Signature	..... Signature
Place of installation:	.....
Name:	.....
ZIP Code/Place:	.....
Street:	.....
Phone:	.....
Tank model: .....	Serial number .....
Date of invoice	.....

In the case of reclamation, the receipts for maintenance must be provided as proof. Please complete the data sheet, including the reason for reclamation, and submit to Wikora.

Submitting the maintenance record does not ensure any promise of guarantee or claim.